

For reference only. See data sheet for the detailed specifications.

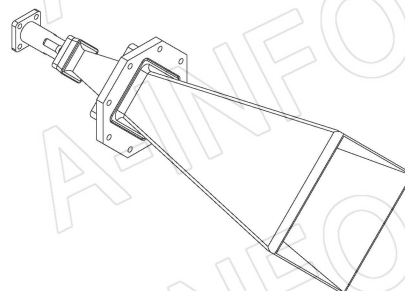
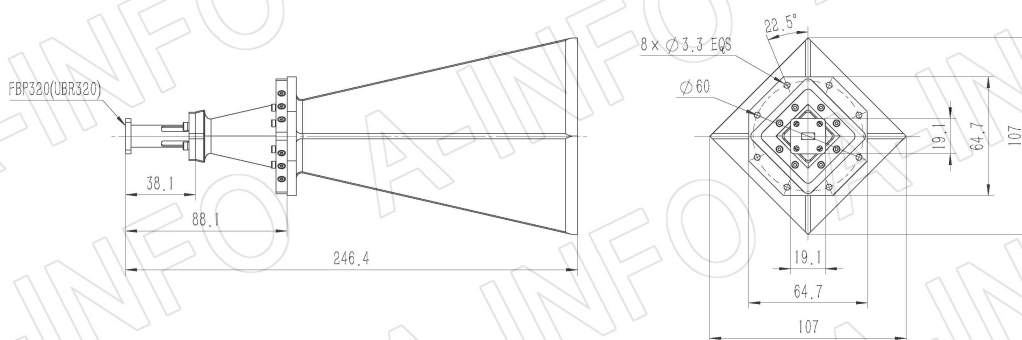
## Technical Specification



Frequency Range(GHz)	26.5 – 40.0
Waveguide	WR28
Gain(dBi)	25 Typ.
Polarization	Linear
3dB Beamwidth(deg)	E Plane: 8 Typ.
	H Plane: 8 Typ.
Side Lobe Level(dB)	E Plane: 30 Min.
	H Plane: 35 Min.
Cross Pol. Isolation(dB)	40 Typ.
VSWR	A Type: 1.20:1 Max.
	C Type: 1.50:1 Max.
Output	A Type: FBP320(UBR320)
	C Type: 2.92mm-Female or 2.4mm-Female
Material	Cu
Finish	Gold Plated, Passivation and Chemical Conversion Coating, Gray Paint
Size(mm)	A Type: 107 x 107 x 246.4
	C Type: 107 x 107 x 270.4
Net Weight(Kg)	A Type: 0.76 Around
	C Type: 0.79 Around

## Outline Drawing (Size: mm)

FBP320 Output (P/N: LB-DG-28-25-A)



**AINFO Inc.**

China(Beijing): Tel: (+86) 10-6266-7326,  
China(Chengdu): Tel: (+86) 28-8519-2786,  
USA: Tel: (+1) 949-639-9688,

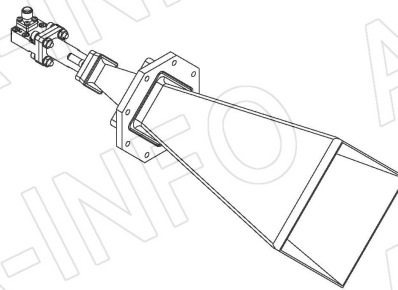
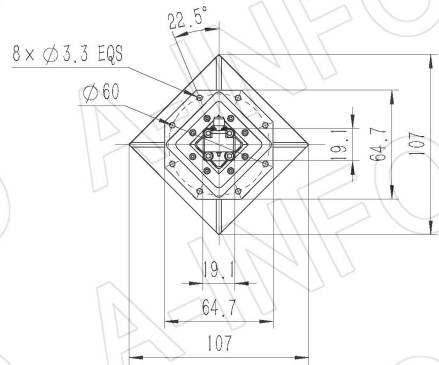
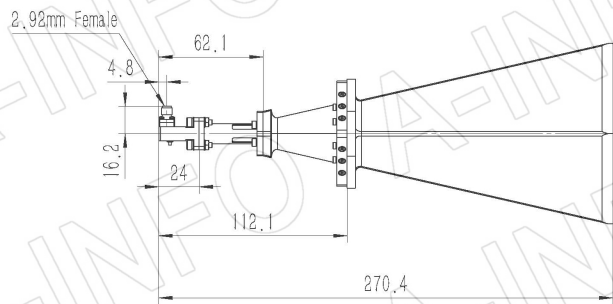
Page 1 of 11

(+86) 10-6266-7327 Fax: (+86) 10-6266-7379  
(+86) 28-8519-3044 Fax: (+86) 28-8519-3068  
(+1) 949-639-9608 Fax: (+1) 949-639-9670

Website: [www.ainfoinc.com](http://www.ainfoinc.com)  
Email: [sales@ainfoinc.com](mailto:sales@ainfoinc.com)

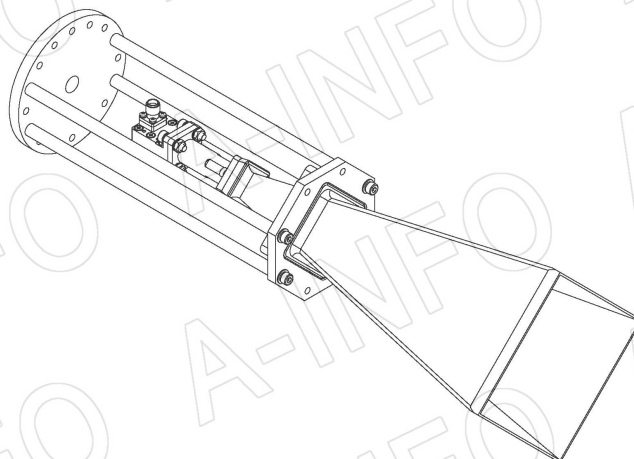
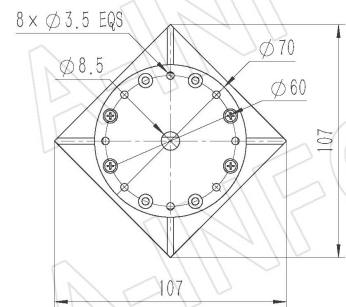
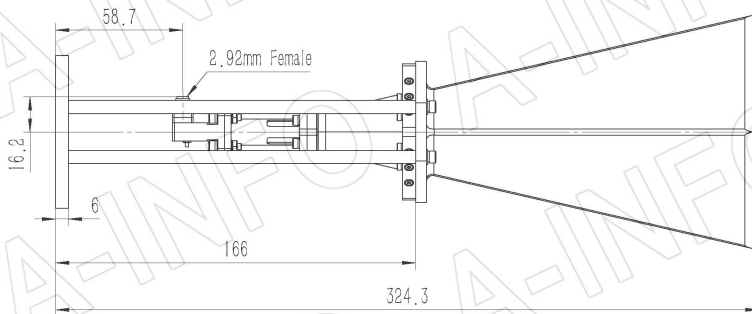
## 2.92mm-Female Output (P/N: LB-DG-28-25-C-KF)

For 2.4mm-Female output outline drawing, please contact A-INFO.

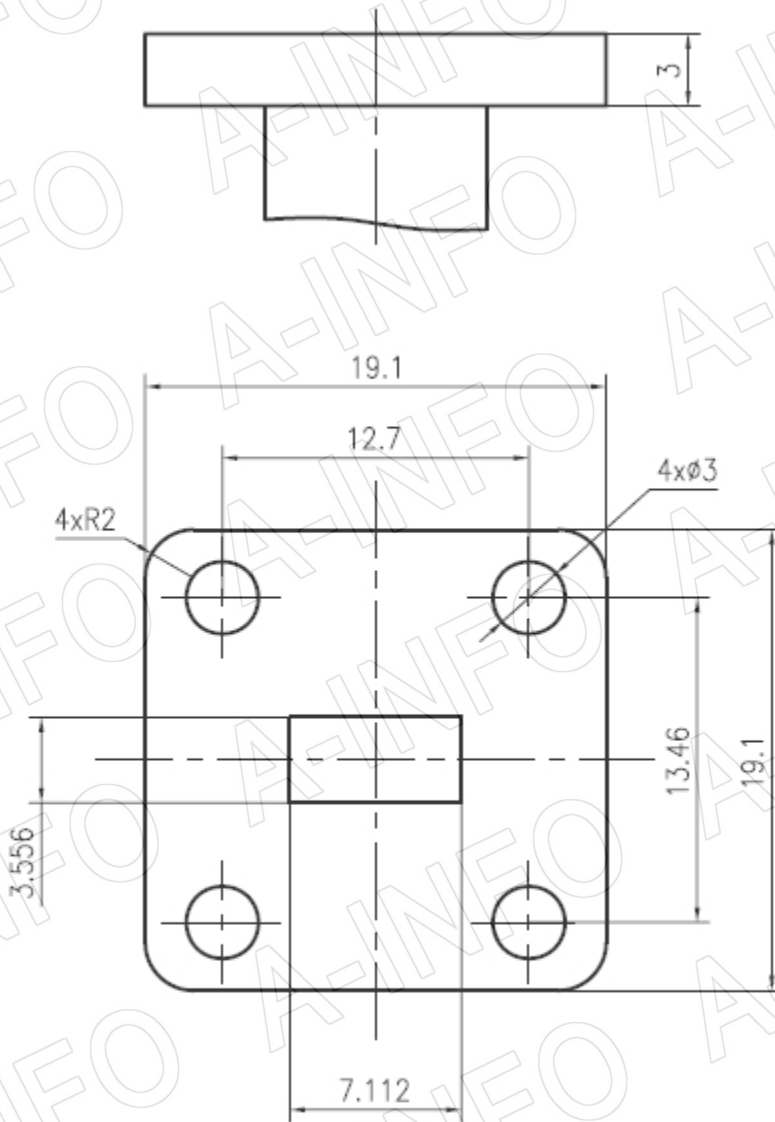


## 2.92mm-Female Output with Round Mounting Bracket (Option, P/N: LB-DG-28-25-MB)

For 2.4mm-Female output outline drawing, please contact A-INFO.



## Flange Drawing (Size: mm)



**FBP320**

### AINFO Inc.

China(Beijing): Tel: (+86) 10-6266-7326,  
China(Chengdu): Tel: (+86) 28-8519-2786,  
USA : Tel: (+1) 949-639-9688,

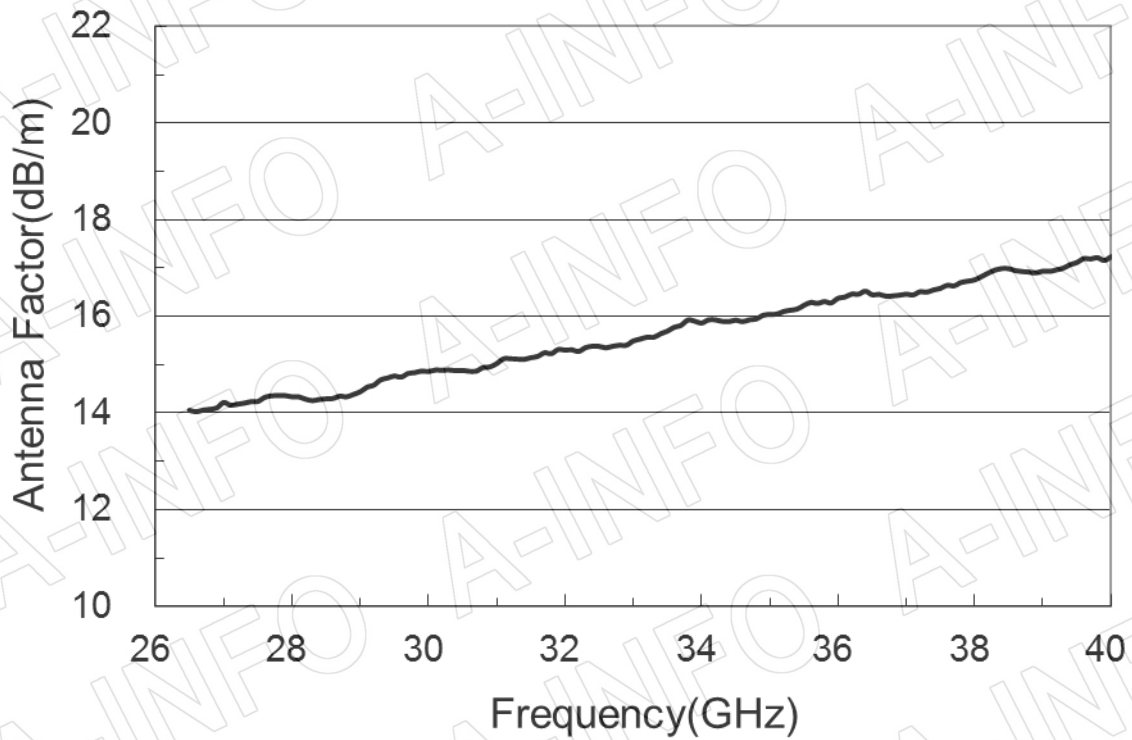
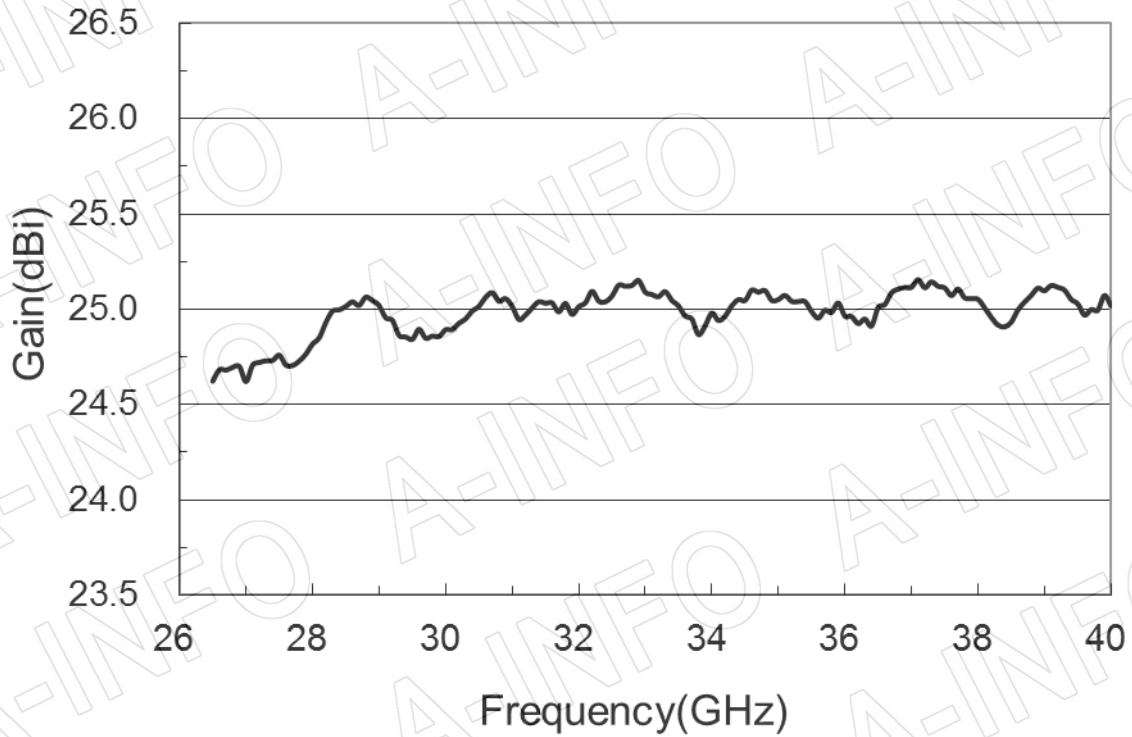
Page 3 of 11

(+86) 10-6266-7327 Fax: (+86) 10-6266-7379  
(+86) 28-8519-3044 Fax: (+86) 28-8519-3068  
(+1) 949-639-9608 Fax: (+1) 949-639-9670

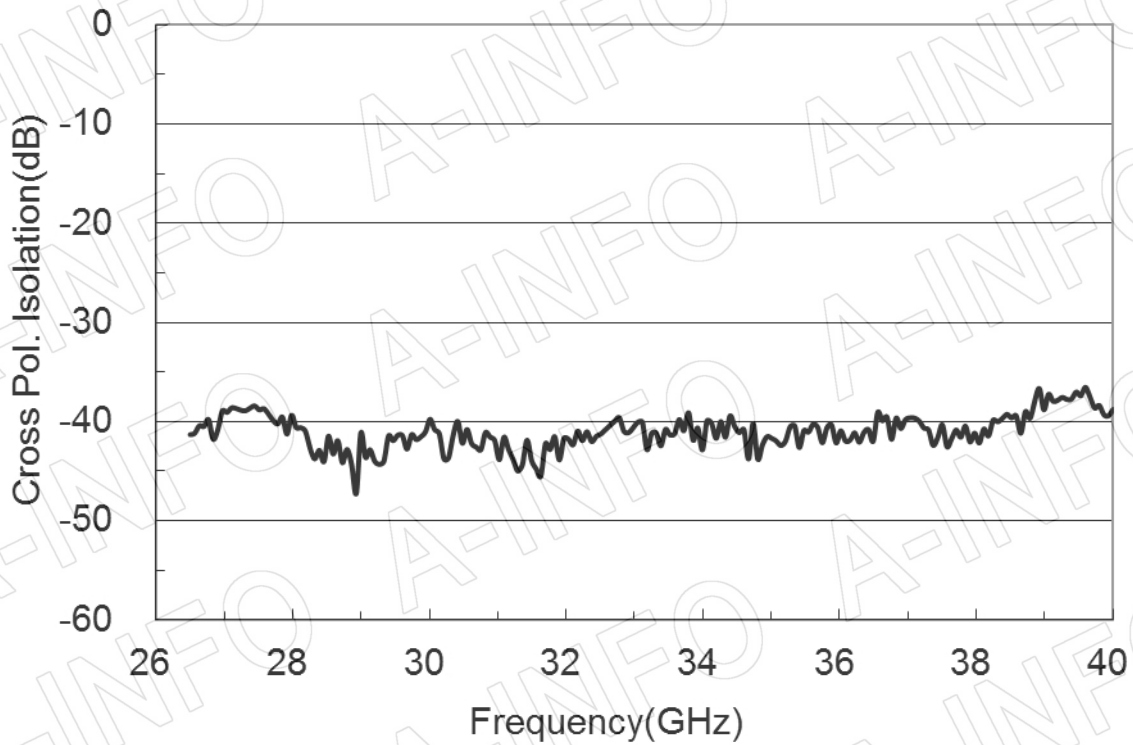
Website: [www.ainfoinc.com](http://www.ainfoinc.com)  
Email: [sales@ainfoinc.com](mailto:sales@ainfoinc.com)

## Test Results

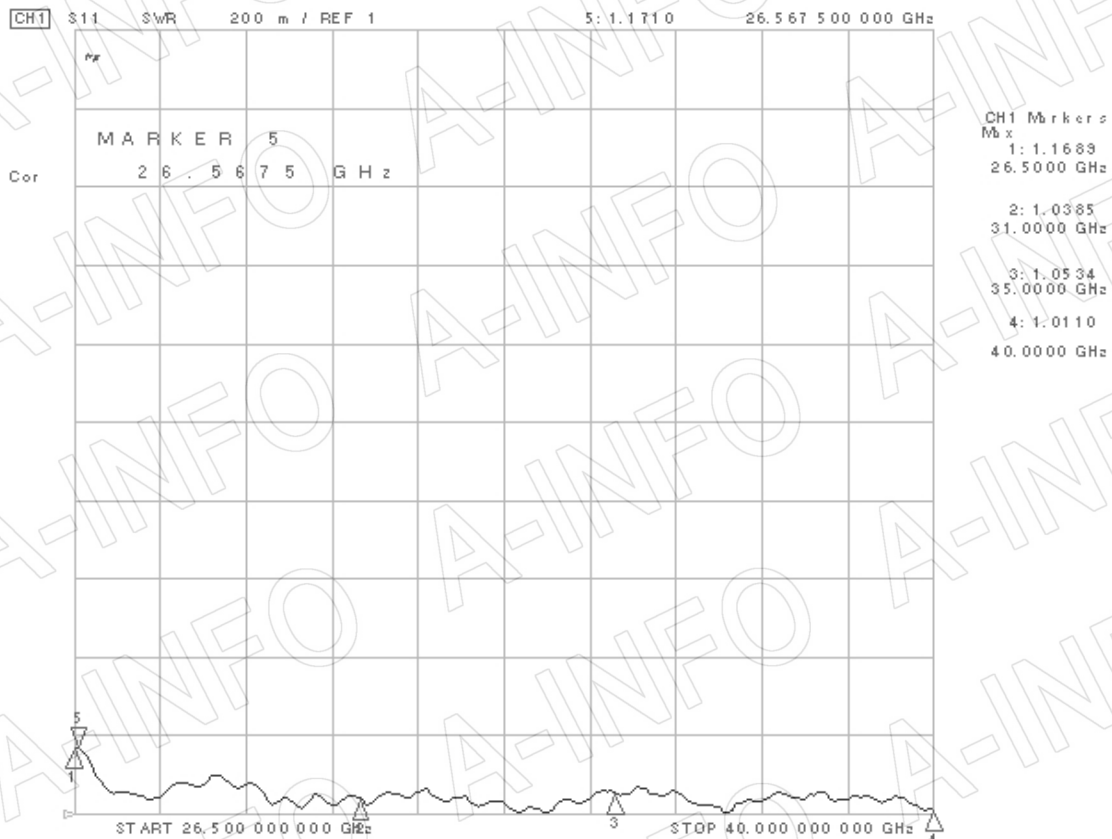
### 1. Gain & Antenna Factor



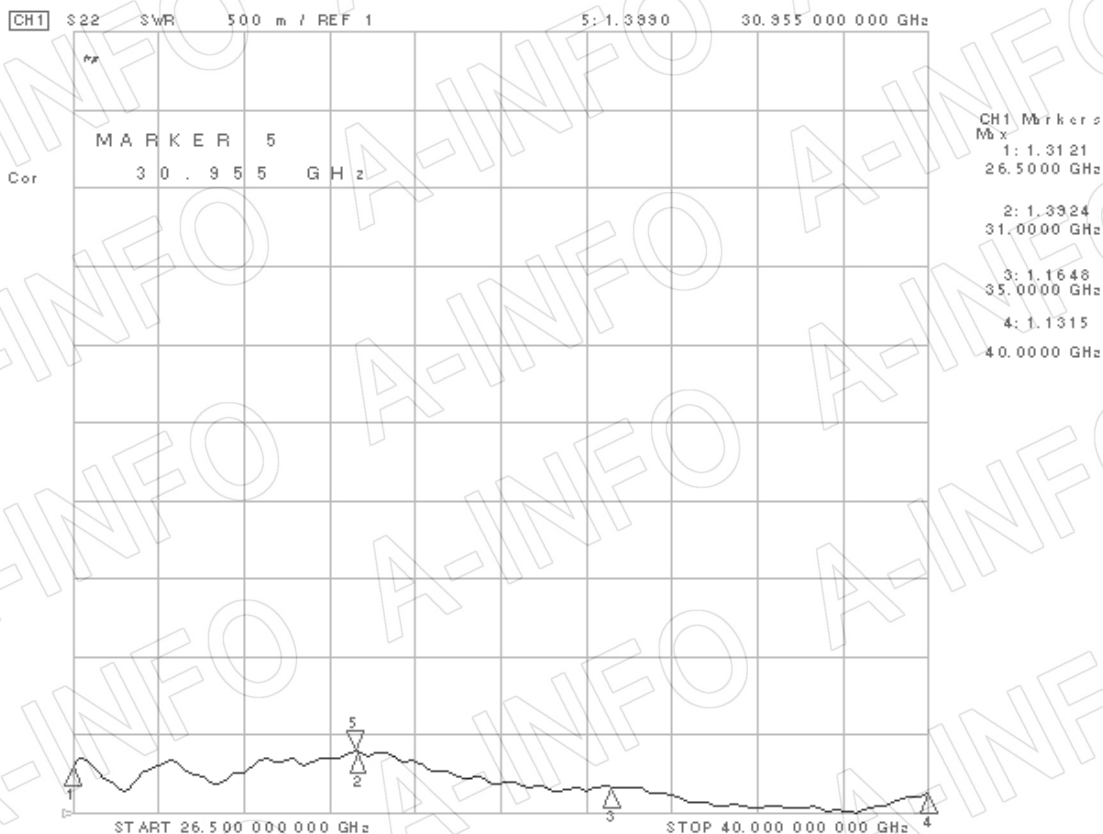
## 2. Cross Polarization Isolation



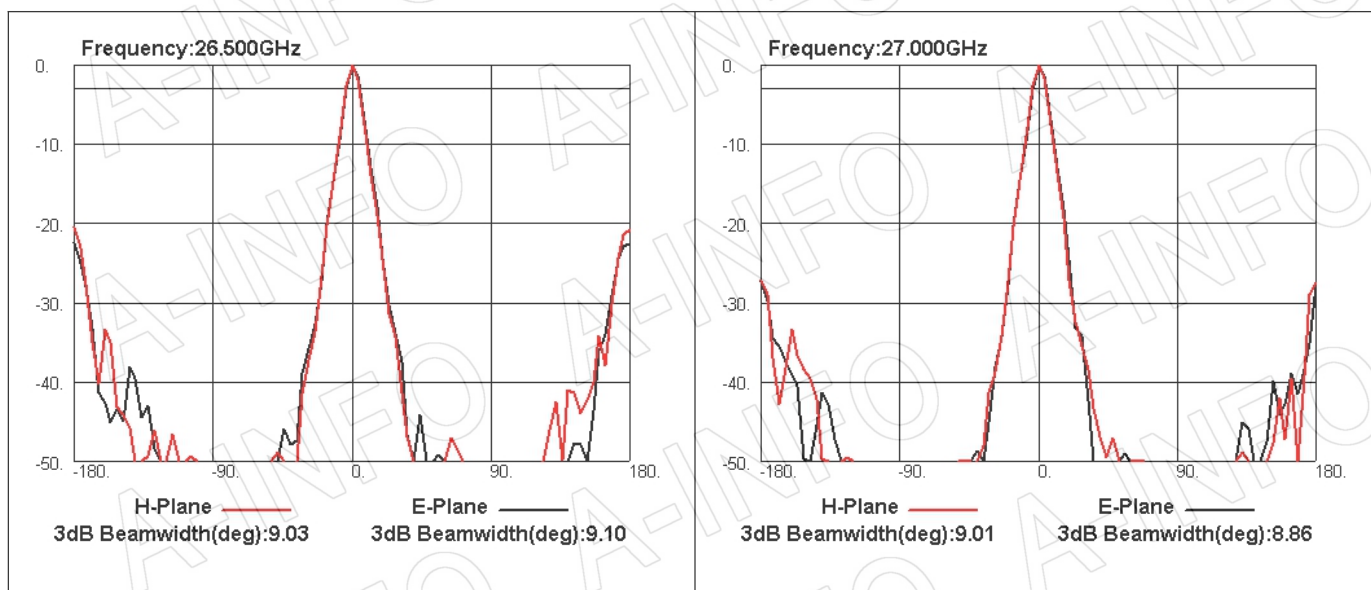
## 3. VSWR\_A Type



## VSWR\_C Type



## 4. Pattern



AINFO Inc.

China(Beijing): Tel: (+86) 10-6266-7326,  
China(Chengdu): Tel: (+86) 28-8519-2786,  
USA: Tel: (+1) 949-639-9688,

Page 6 of 11

(+86) 10-6266-7327 Fax: (+86) 10-6266-7379  
(+86) 28-8519-3044 Fax: (+86) 28-8519-3068  
(+1) 949-639-9608 Fax: (+1) 949-639-9670

Website: [www.ainfoinc.com](http://www.ainfoinc.com)  
Email: [sales@ainfoinc.com](mailto:sales@ainfoinc.com)

